



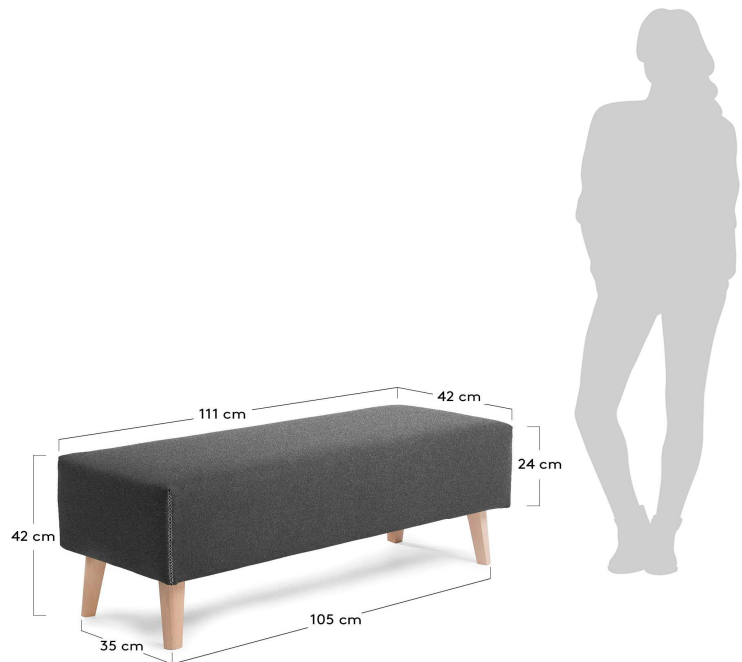
LYDIA_BENCH

product code	CC0467VA02
product description	LYDIA Bench, fabric graphite Bench upholstered with fabric Varese anti-stain Teflon treatment. Removable. Natural beech wood legs.

product sizes

height x width x depth (cm)	42	x	111	x	42
product weight (Kg)	13,4				
seat height (cm)	42				
seat depth (cm)	42				
armrest height (cm)					

technical drawings



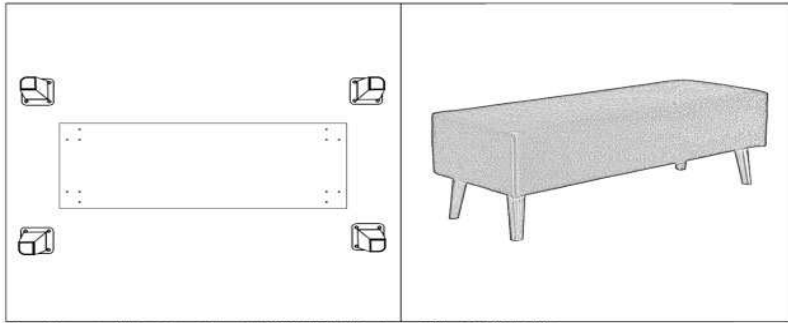
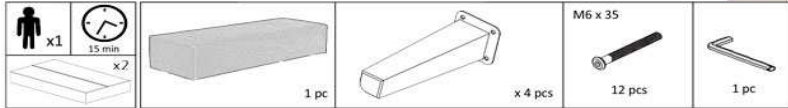
product features

use (domestic/office)	Domestic
appliance (inner/outer)	Inner
stackable (yes/no)	No
adjustable height (yes/no)	No
foldable (yes/no)	No
swivel (yes/no)	No
max. load (Kg)	180
seat material	Pine wood (pinus pinaster), particle board and foam
seat finishing	Fabric (100% polyester)
seat density foam (kg/m3)	25
seat detachable (yes/no)	No
seat grammage (g/m2)	400

backrest material backrest finishing backrest density foam (kg/m3) backrest detachable (yes/no) backrest grammage (g/m2)	No
legs material legs finishing feet protection (yes/no) adjustable feet (yes/no)	Beech wood (Fagus sylvatica) and steel union Clear lacquered and painted steel Yes No
armrest (yes/no) armrest material armrest finishing armrest density foam (kg/m3) armrest detachable (yes/no) armrest grammage (g/m2)	No No
RAL Specifications castors information footrest included size and shape variation (yes/no) color variation (yes/no) other details	No No No
general warnings	Do not place near direct sources of heat. Keep away from direct solar light. Do not use abrasive products like acetones, bleaches, solvents, etc.
specific use and care instructions	Clean with a dry cloth
years of guarantee made according to	2
good to know	Wood origin country: Spain. Anti-stain treatment (Teflon)
assembly	
assembly required (yes/no) difficulty of assembly (hard/medium/easy) assembly time (min) people required assembly suggestions	Yes Easy 15 1

assembly instructions

CC0467



This product is property of Julia Grup Furniture Solutions S.L. (8-17616277) - Pol. Ind. Bosc d'en Cuca - C/Tallers, 14 - 17410 Sidi - SPAIN

packaging

units per lot	1
cbm (m3) / gross weight (Kg)	0,138 / 15,5
nº of boxes	2

box 1	CC0460 - 1
description	LYDIA Bench without cover
description box	FRAME
height x width x depth (cm)	27 x 113 x 42
cbm (m3) / gross weight (Kg) / net weight (Kg)	0,128 / 15 / 13

box 2	CC0468VA02 - 2
description	LYDIA Cover bench, fabric graphite
description box	COVER
height x width x depth (cm)	2 x 50 x 50
cbm (m3) / gross weight (Kg) / net weight (Kg)	0,01 / 0,5 / 0,4